

DISPLAY DR4

24 m
IP20 | IP41



green buildings
Gold certified exit sign
luminaire for "sustainable
building" according to
LEED

DISPLAY DR4

Show a clear edge. The Display DR4 is a real all-rounder. Whether design or option variety, this exit sign luminaire that has been awarded gold for sustainable building is convincing.



DISPLAY DR4

SYSTEM LUMINAIRE

Viewing distance	24 m
Degree of protection	IP20 (DR4E) IP41
Class	I
Enclosure material	Sheet steel
Enclosure colour/surface	RAL 9016 (white)
Terminal block	3 x 2.5 ² for through wiring
Light source	LED
Ambient temperature	-20° C to +40° C
Connected load (AC/DC)	10.0 VA/5.5 W
Supply voltage	230V ± 10 %, 50/60 Hz / 176-275 V DC

VERSIONS

1 h with auto-check with BUS check	
3 h with auto-check with BUS check	
8 h with auto-check with BUS check	
without monitoring module	•
with monitoring module	•
with DALI monitoring	•
Cinema version	
Luminous flux in normal mode 10 %	

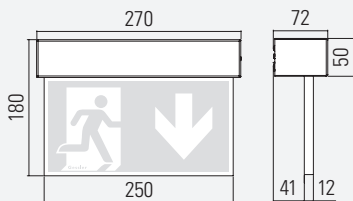
SPECIAL FEATURE

- Power supply via wire suspension

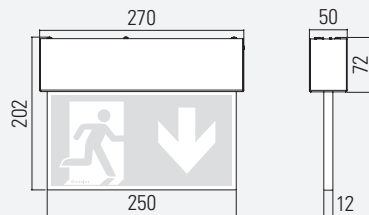
OPTIONS /ACCESSORIES

- Wire lengths up to 6 m | - Enclosure made of brushed stainless steel | - Ball guard | - Other RAL colours on request

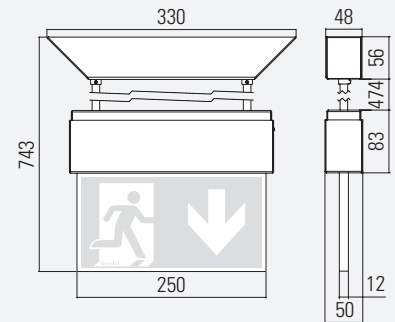
DR4W WALL MOUNTED



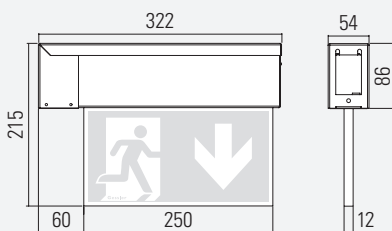
DR4D CEILING MOUNTED



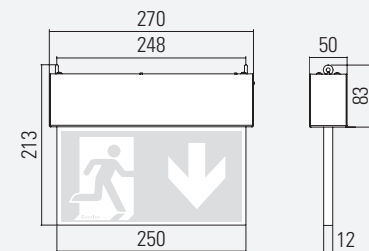
DR4P PENDANT



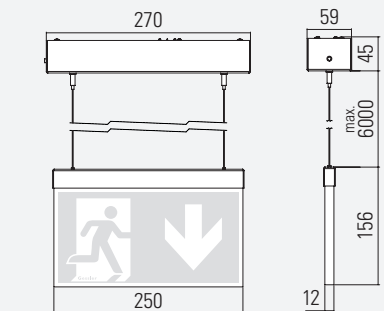
DR4A WALL BRACKET MOUNTING



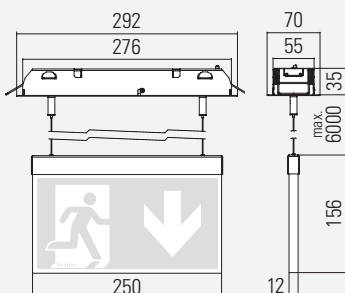
DR4Ö EYE INSTALLATION



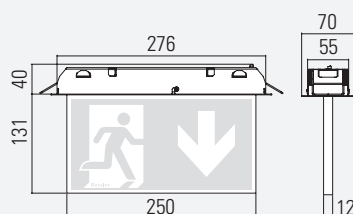
DR4S SUSPENDED



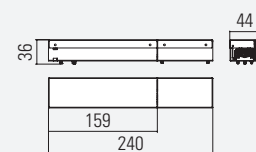
DR4F SUSPENDED, RECESSED BASE



DR4E RECESSED CEILING INSTALLATION



JUNCTION BOX FOR DR4F + DR4E (SUSPENDED, RECESSED BASE)



Ceiling cutout: 280 mm x 60 mm
Maximum ceiling thickness: 45 mm
Minimum clear ceiling height: 40 mm

Ceiling cutout: 280 mm x 60 mm
Maximum ceiling thickness: 45 mm
Minimum clear ceiling height: 40 mm