

EXIT SIGN LUMINAIRE BR1 38 m IP54 | IK10



EXIT SIGN LUMINAIRE BR1

Vandalism is a problem. The BR series is our answer. Thanks to the reinforced enclosure body, the impact resistant polycarbonate cover and an additional seal against water splashes, the BR1 is ideally suitable for use in public areas.



EXIT SIGN LUMINAIRE BR1	SYSTEM LUMINAIRE	RECHARGEABLE BATTERY LUMINAIRE
Viewing distance		38 m
Degree of protection		IP54
Impact resistance		IK10
Class		II
Enclosure material		Sheet steel
Enclosure colour/surface		RAL 9016 (white)
Terminal block		3 x 2.5 ² for through wiring
Light source		LED
Ambient temperature	-20° C to +40° C	0° C to +40° C
Connected load (AC/DC)	12.05 VA/7.1 W	
Supply voltage	230V ± 10 %, 50/60 Hz / 176-275 V DC	230V ± 10 %, 50/60 Hz
Rechargeable battery		3.6 V/2.5 Ah (NiCd)

VERSIONS

1 h with auto-check with BUS check		• •
3 h with auto-check with BUS check		
8 h with auto-check with BUS check		
without monitoring module	•	
with monitoring module	•	
with DALI monitoring		
Cinema version		
Luminous flux in normal mode 10 %		

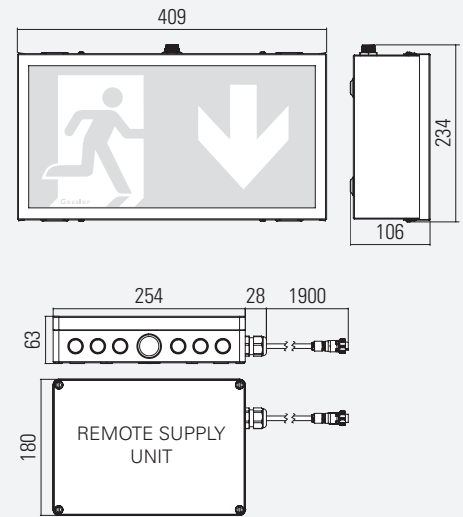
SPECIAL FEATURE

- High degree of protection (IP54)
- The luminaire head can be dismantled as a closed unit
- Impact resistant enclosure with additional window for downward light emission
- Voltage-free fault indication contact (rechargeable battery luminaire)
- Pictogram set included

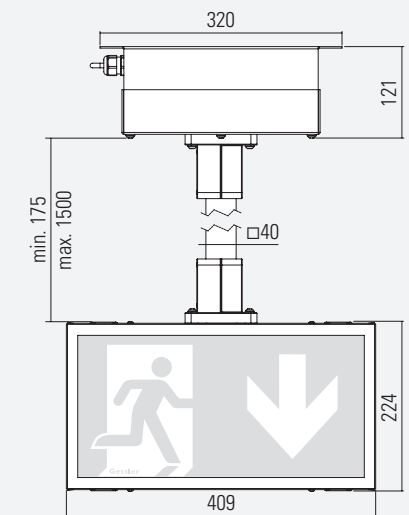
OPTIONS /ACCESSORIES

- Other RAL colours on request

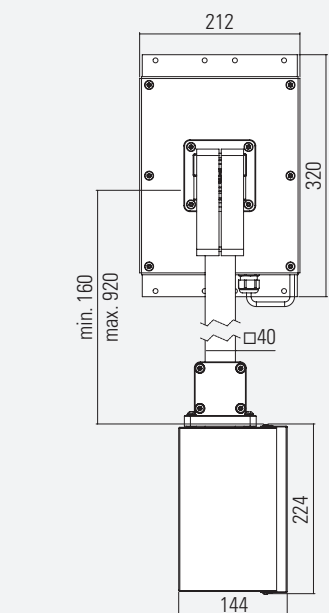
BR1W WALL MOUNTED



BR1D CEILING MOUNTED



BR1A WALL BRACKET MOUNTING



WALL BRACKET MOUNTING

Supply unit

As rechargeable battery luminaire with optional voltage-free signalling contact

Variable length

Can be shortened on site and adapted to the local circumstances

Coupling

The LED cube head can be uncoupled, if necessary, using a special key

Vandalproof cube head

made of impact resistant polycarbonate

