

EXIT SIGN LUMINAIRE BR2 ^{38 m} IP54 | IK10



EXIT SIGN LUMINAIRE BR2

Vandalism is a problem. The BR series is our answer. Thanks to the reinforced enclosure body, the impact resistant polycarbonate cover and an additional seal against water splashes, the double-sided BR2 is ideally suitable for use in public areas.



EXIT SIGN LUMINAIRE BR2	SYSTEM LUMINAIRE	RECHARGEABLE BATTERY LUMINAIRE
Viewing distance		38 m
Degree of protection		IP54
Impact resistance		IK10
Class		II
Enclosure material		Sheet steel
Enclosure colour/surface		RAL 9016 (white)
Terminal block		3 x 2.5 [□] for through wiring
Light source		LED
Ambient temperature	-20° C to +40° C	0° C to +40° C
Connected load (AC/DC)	24.1 VA/14.2 W	
Supply voltage	230V ± 10 %, 50/60 Hz/176-275 V DC	230V ± 10 %, 50/60 Hz
Rechargeable battery		2 x 3.6 V/2.5 Ah (NiCd)

VERSIONS

1 h with auto-check with BUS check		• •
3 h with auto-check with BUS check		
8 h with auto-check with BUS check		
without monitoring module	•	
with monitoring module	•	
with DALI monitoring		
Cinema version		
Luminous flux in normal mode 10 %		

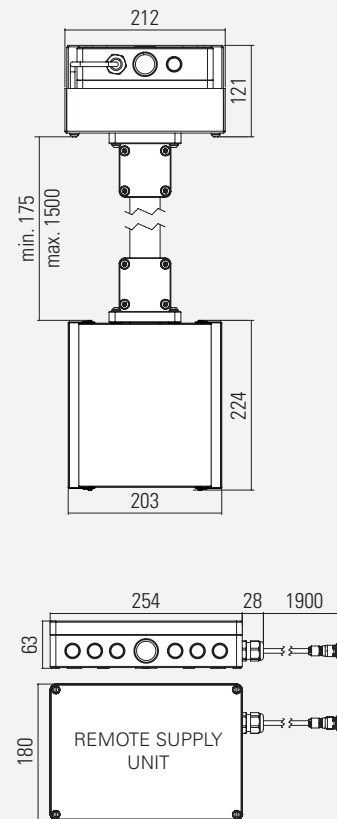
SPECIAL FEATURE

- High degree of protection (IP54)
- The luminaire head can be dismantled as a closed unit
- Impact resistant enclosure with additional window for downward light emission
- Voltage-free fault indication contact (rechargeable battery luminaire)
- Pictogram set included

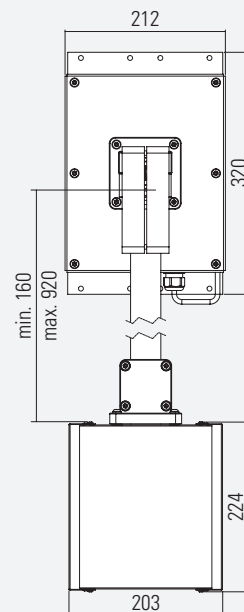
OPTIONS /ACCESSORIES

- Other RAL colours on request

BR2D CEILING MOUNTED



BR2A WALL BRACKET MOUNTING



Supply unit

As rechargeable battery luminaire with optional voltage-free signalling contact

Variable length

Can be shortened on site and adapted to the local circumstances

Coupling

The LED cube head can be uncoupled, if necessary, using a special key

Vandalproof cube head

made of impact resistant polycarbonate

WALL BRACKET MOUNTING

