

STARLIGHT **S01** IP40 LED

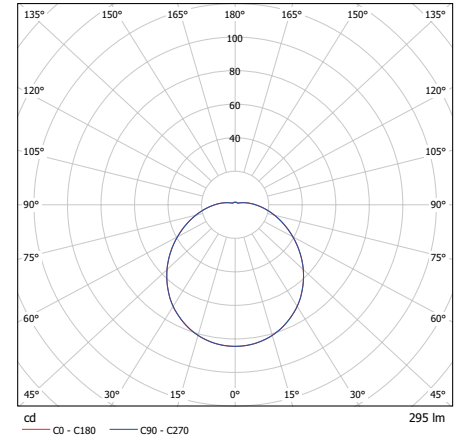


Starlight S01 is a general lighting luminaire with integrated emergency lighting functionality. Visually indistinguishable from our pure general lighting luminaire, the integrated emergency lighting module supplies the LED panel in emergency mode. Suitable for lighting open areas and escape routes according to EN 1838.

STARLIGHT S01

SYSTEM LUMINAIRE RECHARGEABLE BATTERY LUMINAIRE

Degree of protection	IP40	
Class	I	
Enclosure material	PMMA	
Enclosure colour/surface	opal	
Terminal block	3 x 2.5 [□] for through wiring	
Light source	LED (4000 K – also available in other colour temperatures)	
Ambient temperature	-20° C to +40° C	0° C to +40° C
Connected load (AC/DC)	8.3 VA/5.2 W	6.2 VA
Connected load (mains)	33.2 VA	
Supply voltage	230V ± 10 %, 50/60Hz/176-275 V DC	230V ± 10 %, 50/60Hz
Rechargeable battery	3.6 V/2.5 Ah (Ni-Cd)	



VERSIONS

1 h with auto-check with BUS check	• •
3 h with auto-check with BUS check	• •
8 h with auto-check with BUS check	• •
without monitoring module	•
with monitoring module	•
with DALI monitoring	

LIGHTING of ESCAPE ROUTES in emergency mode

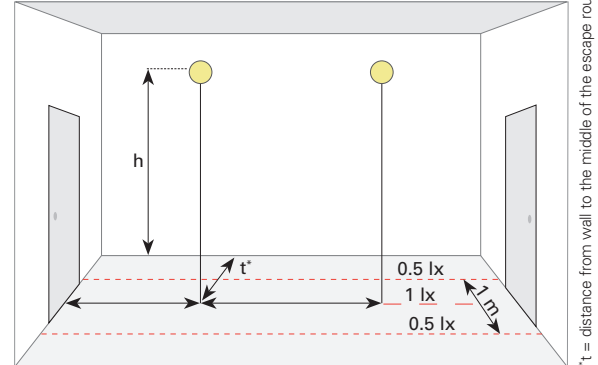
Installation height [m]	System 1 h + 3 h			System 1 h + 3 h		
	1 h + 3 h	8 h	8 h	1 h + 3 h	8 h	8 h
2.00	3.50	2.25	1.50	8.50	6.00	4.00
2.50	3.75	2.50	1.25	9.25	6.50	4.00
3.00	3.75	2.50	0.50	9.75	6.75	4.00
3.50	4.00	2.25		10.25	6.75	
4.00	4.00	2.00		10.75	6.75	

LIGHTING of OPEN AREAS > 60m² (anti-panic lighting) – EN 1838

Installation height [m]	System 1 h + 3 h			System 1 h + 3 h		
	1 h + 3 h	8 h	8 h	1 h + 3 h	8 h	8 h
3.00	4.25	2.75	1.75	10.00	7.75	5.75
4.00	4.50	2.75	1.75	11.75	9.00	6.00
5.00	4.75	2.75	1.25	12.75	9.50	6.25
6.00	4.75	2.75	1.00	13.75	9.75	5.50
7.00	4.75	2.50	0.75	14.75	10.00	5.00
8.00	4.50	2.50	0.75	15.25	9.75	4.25

LIGHTING of SALES AREAS (e.g. self-service stores) – EN 1838

Installation height [m]	System 1 h + 3 h			System 1 h + 3 h		
	1 h + 3 h	8 h	8 h	1 h + 3 h	8 h	8 h
3.00	3.00	2.50	1.25	9.00	6.25	4.50
4.00	3.25	2.50	1.00	10.00	6.75	4.00
5.00	3.50	1.75	0.75	10.50	7.25	3.50
6.00	3.50	1.25	0.75	10.75	7.25	2.75
7.00	3.25	1.25	0.75	11.00	6.00	2.50
8.00	2.75	1.25	0.75	11.50	5.25	1.75

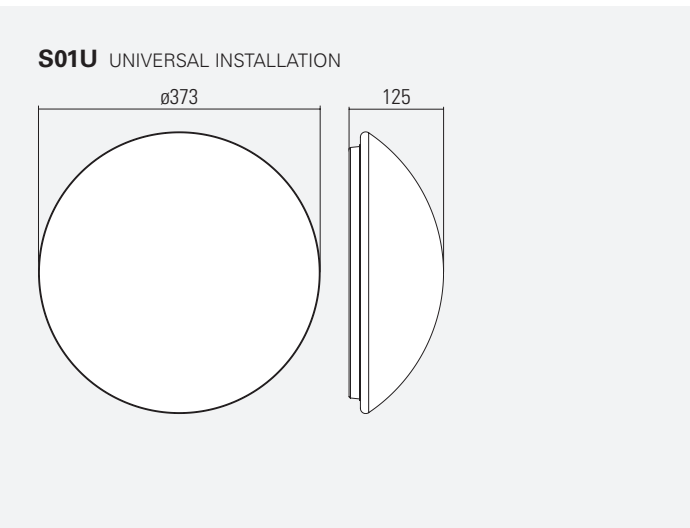


LIGHTING of ESCAPE ROUTES – EN 1838 – (t* = 1 m)

Installation height h [m]	System 1 h + 3 h			System 1 h + 3 h		
	1 h + 3 h	8 h	8 h	1 h + 3 h	8 h	8 h
2.00	2.25	1.00		6.25	3.75	
2.50	2.00	0.50		6.25	3.25	
3.00	1.75			6.00		
3.50	1.00			5.50		
4.00						

LIGHTING of ESCAPE ROUTES – EN 1838 – (t* = 2 m)

Installation height h [m]	System 1 h + 3 h			System 1 h + 3 h		
	1 h + 3 h	8 h	8 h	1 h + 3 h	8 h	8 h
2.00	2.75	1.00		7.25	4.50	
2.50	2.75	0.50		7.50	4.50	
3.00	2.50			7.25		
3.50	2.00			6.75		
4.00	1.50			6.75		



*t = distance from wall to the middle of the escape route. All figures in metres from the middle of the luminaire.